

1

2

3

4

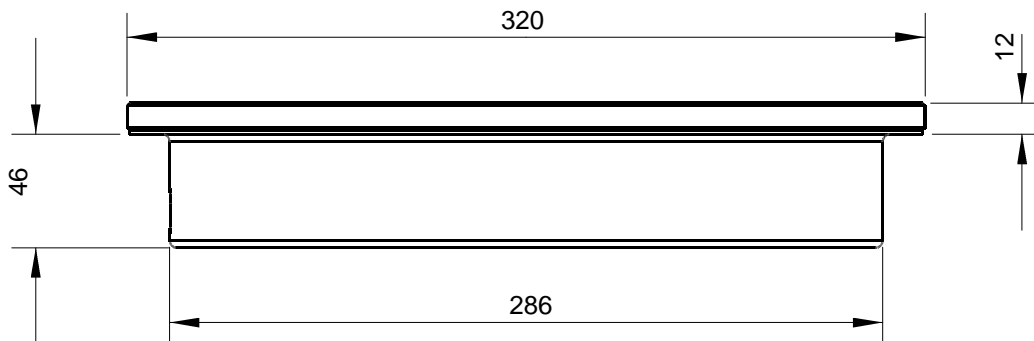
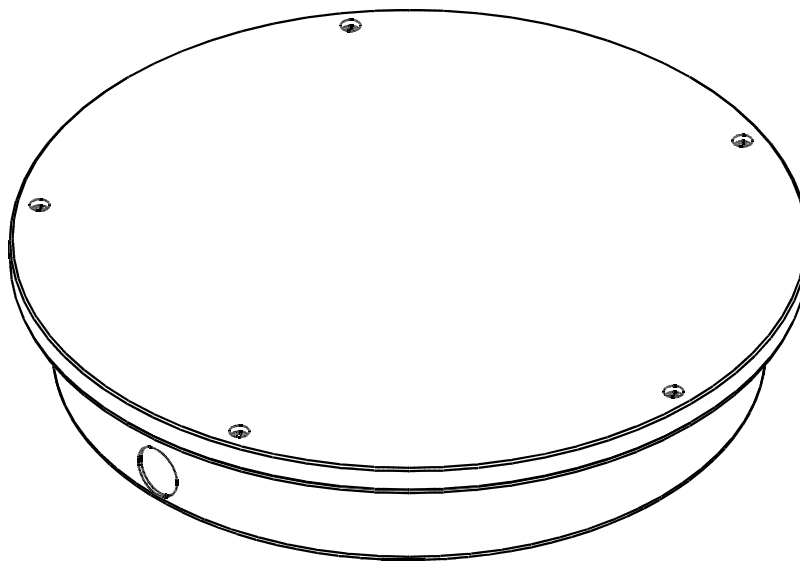
A

B

C

D

E



**Unless Otherwise Specified:**  
 Dimensions in Inches  
 Tolerances: Fractional ±  
 Angular: Mach ± Bend ±  
 Two Place Decimal ±  
 Three Place Decimal ±

Finish

--

Debur and Break Sharp Edges

Do Not Scale Drawing

**Hellinge LICHT GmbH**

**RUND 32**

Abmessungen

	Name	Date	Comments
Drawn			CAD Generated Drawing Do Not Manually Update
Checked			
ENG Appr.			
MFR Appr.			
QA			

Material

--

Size

**A4**

Drawing No.

**0001**

Rev

**A**

Scale

**1:3**

CAD File

Sheet

**1 of 1**

1

2

3

4

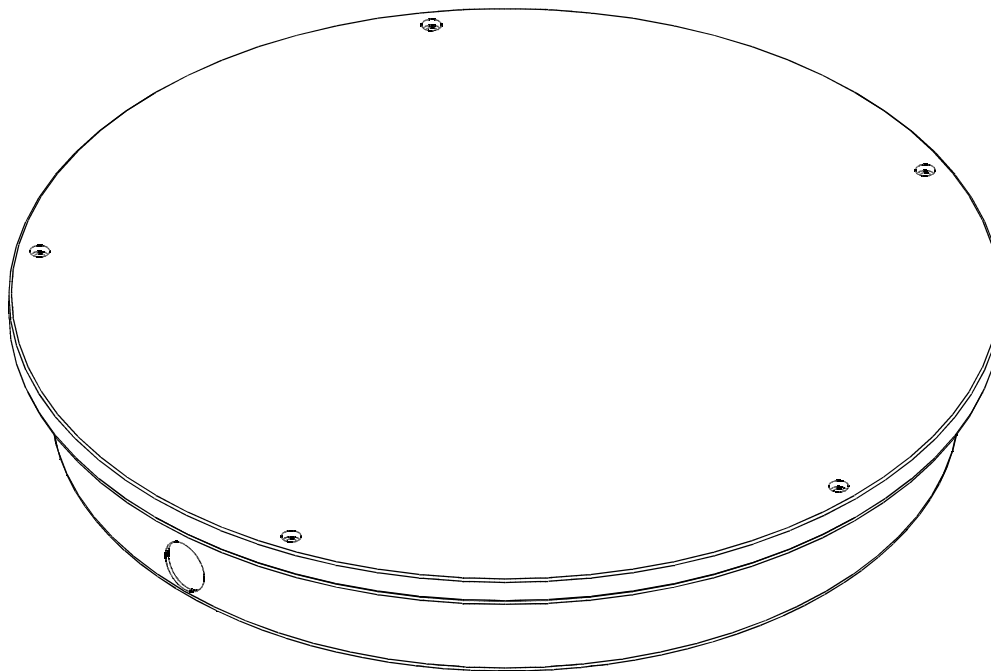
A

B

C

D

E



**Unless Otherwise Specified:**  
 Dimensions in Inches  
 Tolerances: Fractional ±  
 Angular: Mach ± Bend ±  
 Two Place Decimal ±  
 Three Place Decimal ±

Finish

--

Debur and Break Sharp Edges

Do Not Scale Drawing

**Hellinge LICHT GmbH**

**RUND 40**

Abmessungen

	Name	Date	Comments
Drawn			CAD Generated Drawing Do Not Manually Update
Checked			
ENG Appr.			
MFR Appr.			
QA			

Material

--

Size

**A4**

Drawing No.

**0001**

Rev

**A**

Scale

**1:3**

CAD File

Sheet

**1 of 1**